

Installation Instructions

RM4 LED Signals – 93 Series - Wayside Colorlight



BEFORE YOU BEGIN

Read these instructions completely and carefully.

Prepare Electrical Wiring



Electrical Requirements

- Do not use in wet locations
- Follow all National Electric Codes (NEC) and local codes.



WARNING / AVERTISSEMENT

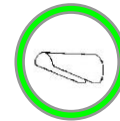
Risk of Electric Shock. Disconnect Before Servicing or installing product.

Risque de choc électrique. Couper l'alimentation avant le dépannage ou avant l'installation du produit.

Operating Specifications:

Voltage Range:	8V to 18V AC
Input Voltage Range:	10V to 12V AC
Input Voltage Range (night mode):	8V to 10V AC
Current Draw:	Minimum of 1.4 A

- Use only with using alternating current (AC) interlockings.
- Always use a sun shielding apparatus such as a visor or hood over the signals.
- Do not attempt to open the LED module. No assembly is required.
- Relay flashers are the only approved means of flashing the LED signal.



Testing:

- If testing before installation, be sure to use a **constant power source rated 10V AC / 2 A minimum** to ensure proper operation of the LED signal.
NOTE: Failure to do so will activate the light-out safety detection feature of the LED signal and disable the lamp's operation.

Installation Steps:

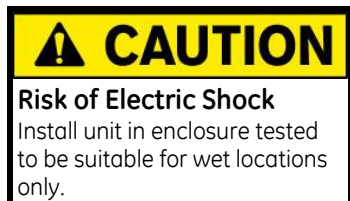
NOTE: Failure to properly follow these instructions may cause signal to malfunction.

1. **Existing signal head in the field:** Remove lens and incandescent bulb assembly from housing.
2. **Existing in-line rheostat in the field:** Set rheostat (variable resistor) to zero "0" or remove completely.
3. **Voltage settings:** Check the label on the back of the LED module to ensure the voltage corresponds to the system voltage. The recommended voltage at the signal head is 10 to 12V ^(A).
4. **Wiring Color-Coded:** The module wires have been color-coded to identify the color of the signal when it is off. For example, green signals have green wires ^(B).

Installation Instructions (cont'd)

RM4 LED Signals – 93 Series - Wayside Colorlight

5. **Insertion of LED module into signal head:** Insert the LED module into lens slot, then rotate until arrow points up^(C) and tighten metal tabs, or insert LED module into the external ring holder.

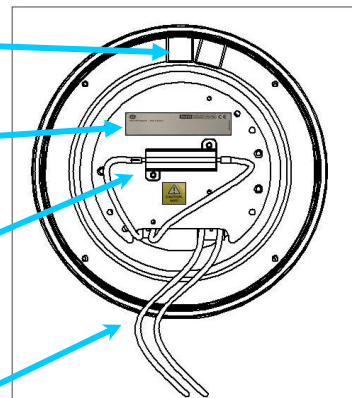


(C) Ensure arrow points upward for proper beam alignment

(A) Check label for required voltage

CAUTION
Surface may be hot!
Do not touch the resistor.

(B) Wire color indicates LED signal color



This product is intended solely for the use of rail signaling and is not intended for use in any other applications.

Provisions should be made for periodic functional checks of safety devices and features incorporated into this product.

GE recommends that primary and secondary surge protection be added additional to the tertiary surge protection in the lamp.



NOTE: If you prefer to have this Installation Instructions document in **other languages**, visit our official website at:

www.gelighting.com/installation



GE Lighting Solutions • 1-888-MY-GE-LED • www.gelightingsolutions.com
1-888-69-43-533 • Or • +1.216.266.2419

GE Lighting Solutions, LLC is a subsidiary of the General Electric Company. The GE brand and logo are trademarks of the General Electric Company. © 2012 GE Lighting Solutions, LLC. Information provided is subject to change without notice. All values are design or typical values when measured under laboratory conditions.

RAIL057- R061614