

# LED Colorlights Wayside

8 inch (200 mm) - 12V AC  
**-93 & -94 Series**



## Outstanding Reliability

- Compatible with most controllers with light-out-detection circuits
- Self-contained design provides protection against moisture and dust
- Backed by a 48 month limited warranty
- Over 210,000 wayside signals sold worldwide

## Excellent Appearance & Visibility

- Robust LED system design enables high luminous intensity over long product life
- Efficient optical system delivers uniform color across both wide- and narrow-beam signals
- Sun Phantom reducing features have been incorporated in our design<sup>1</sup>
- Easy to install and align
- Optional dual day/night brightness modes<sup>2</sup>

## Meets Rigorous Certification & Testing Standards

- Meets selected AREMA recommended practices, as detailed in the Design Compliance Table
- All lamps undergo comprehensive testing in the manufacturing plant
- Meets key failure rate criteria as per EN 50129\*

\* Detailed rating table with duration and operating conditions available upon request.

RM4 - Wayside



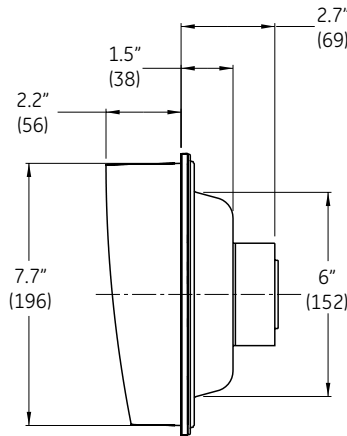
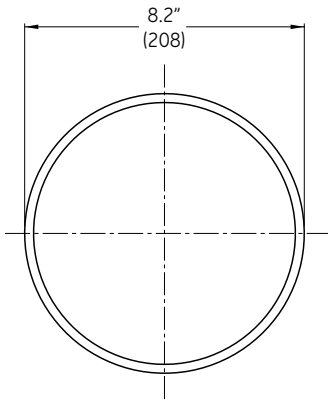
imagination at work

# LED Colorlights - Wayside

• 8 inch (200 mm) - 12V AC • -93 & -94 Series

## Mechanical Outline

Dimensions in inches. (mm) indicates metric equivalent



## Design Compliance

Characteristic	Compliance
Impact Resistance of Front Shell	IR3
Mechanical Vibration & Shock	AREMA 11.5.1.D.4/D.5. Class B
Water/Dust Ingress Protection (in typical Rail Housing)	EN 60529 IP65
Dielectric Strength	-94: AREMA 11.5.1.D.7, Class B -93: EN50121-4
Electrical Surge Protection	EN61000-4-5, Class 3, AREMA 11.3.3
Electromagnetic Compatibility (EMC)	-94: FCC Part 15, Subpart B -93: EN50121-4

## Operating Specifications

Parameter	Rating
Operating Temperature Range	-40 to 70°C (-40 to 158°F)
Nominal Operating Voltage	12V AC
Operating Voltage Range	-94: 9 - 16V AC -93: 6.5 - 13V AC
Voltage Turn-Off	5V AC
Turn-On/Turn-Off Time	< 75ms (94 Series) < 200ms (93 Series)

## Product Information

Model Number	Aspect Color	Nominal Watts	Number of LEDs	Approx. Dimming Ratio
<b>-94 Series: Short and Mid-Range: Visibility to 2000 ft (600 m)<sup>1</sup></b>				
RM4-GCFB-28B-94GK	Green	16W	88	N/A
RM4-YCFB-43B-94GK	Yellow	19W	132	N/A
RM4-RSFB-43B-94GK	Red	15W	132	N/A
<b>-93 Series: Long Range: Visibility to 5000 ft (1500 m)<sup>1</sup></b>				
RM4-GSFB-75B-93DG	Green	24W	88	50%
RM4-YSFB-85B-93DG	Yellow	24W	88	50%
RM4-RSFB-75B-93DG	Red	22W	88	50%

### Notes:

<sup>1</sup> Signal performance when exposed to external light (ex. sun, head lamp) is dependant on each application field testing is recommended.

<sup>2</sup> Applicable only to -93 Series lamps.

Distributed by:



GE Lighting Solutions • 1-888-MY-GE-LED • www.gelightingsolutions.com

1 - 8 8 8 - 6 9 - 4 3 - 5 3 3 for North America · or · + 1 . 2 1 6 . 2 6 6 . 2 4 1 9

GE Lighting Solutions, LLC is a subsidiary of the General Electric Company. The GE brand and logo are trademarks of the General Electric Company.

© 2012 GE Lighting Solutions, LLC. Information provided is subject to change without notice. All values are design or typical values when measured under laboratory conditions.

RAIL127-R090412