

LED Colorlights Wayside

8 inch (200 mm) - 120V AC
-70 Series



Outstanding Reliability

- Self-contained design provides protection against moisture and dust
- Backed by a 48 month limited warranty
- Over 210,000 wayside signals sold worldwide

Excellent Appearance & Visibility

- Robust LED system design enables high luminous intensity over long product life
- Efficient optical system delivers uniform color across both wide- and narrow-beam signals
- Sun Phantom reducing features have been incorporated in our design¹
- Easy to install and align
- Constant light output over operating voltage range

Meets Rigorous Certification & Testing Standards

- Meets key AREMA recommended practices
- All lamps undergo comprehensive testing in the manufacturing plant

RM4 - Wayside



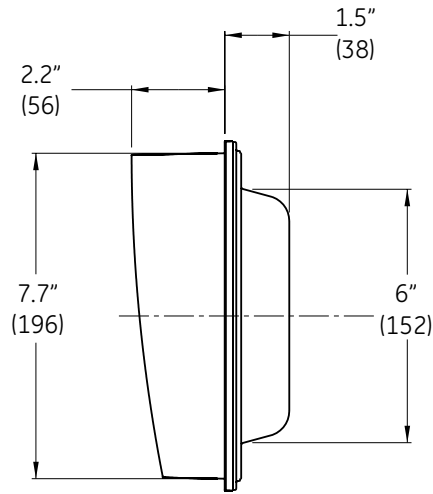
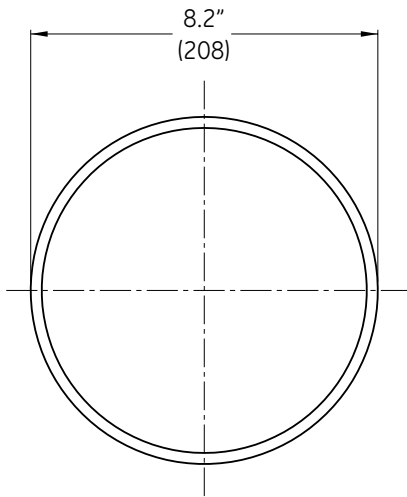
imagination at work

LED Colorlights - Wayside

• 8 inch (200 mm) - 120V AC • 70 Series

Mechanical Outline

Dimensions in inches. (mm) indicates metric equivalent



Design Compliance

Characteristic	Compliance
Impact Resistance of Front Shell	IR3
Mechanical Vibration & Shock	AREMA 11.5.1.D.4/D.5. Class B
Water/Dust Ingress Protection (in typical Rail Housing)	EN 60529 IP65
Dielectric Strength	AREMA 11.51.1.D.7
Electrical Surge Protection	AREMA 11.3.3
Electromagnetic Compatibility (EMC)	EN55011 : 2002

Operating Specifications

Parameter	Rating
Operating Temperature Range	-40 to 70°C (-40 to 158°F)
Nominal Operating Voltage	120V AC
Operating Voltage Range	85 - 135V AC
Voltage Turn-Off	45V AC (50/60 Hz)

Product Information

Model Number	Aspect Color	Nominal Watts
Short and Mid-Range: Visibility to 2000 ft (600 m)		
● RM4-GCFB-25A-70	Green	7W
● RM4-YCFB-43A-70	Yellow	11W
● RM4-RSFB-25A-70	Red	7W
○ RM4-WSFB-25A-70	White	6W

Distributed by:

Notes:

¹ Signal performance when exposed to external light (ex. sun, head lamp) is dependant on each application. Field testing is recommended.



GE Lighting • 1-888-MY-GE-LED • www.gelighting.com

1-888-69-43-533 for North America · or · +1.216.266.2419

Information provided is subject to change without notice. All values are design or typical values when measured under laboratory conditions. The GE brand and logo are trademarks of the General Electric Company. © 2013 GE.