

LED Transit Colorlight Signal Modules

5.5 inch (140 mm) - 12V DC
-92 Series



Outstanding Reliability

- Compatible with most controllers with light-out-detection circuits
- Self-contained design provides protection against moisture and dust
- Backed by a 48 month limited warranty
- Over 210,000 wayside signals sold worldwide

Excellent Appearance & Visibility

- Robust LED system design enables high luminous intensity over long product life
- Sun Phantom reducing features have been incorporated in our design¹
- Easy to install and align
- Customizable front lens using Lens Kits²

Meets Rigorous Certification & Testing Standards

- Meets selected AREMA recommended practices, as detailed in the Design Compliance Table
- All lamps undergo comprehensive testing in the manufacturing plant
- Meets key failure rate criteria as per EN 50129*

* Detailed rating table with duration and operating conditions available upon request.

TR3 Transit



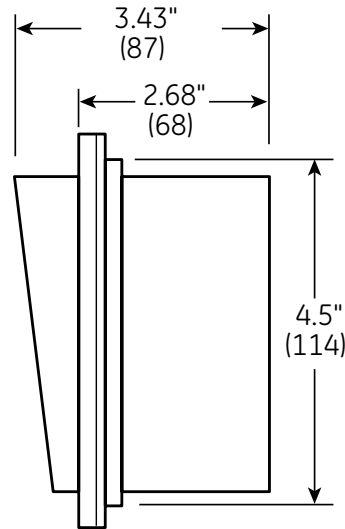
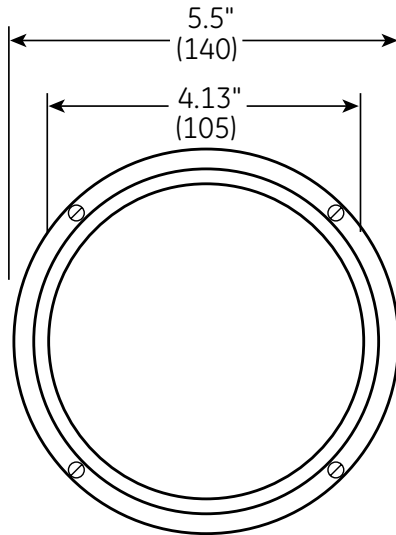
imagination at work

TR3 LED Transit Colorlight Signal Modules

• 5.5 inch (140 mm) - 12V DC • 92 Series

Mechanical Outline

Dimensions in inches. (mm) indicates metric equivalent



Design Compliance

Characteristic	Compliance
Impact Resistance of Front Shell	IR3
Mechanical Vibration & Shock	AREMA 11.5.1.D.4/D.5. Class B
Water/Dust Ingress Protection (in typical Rail Housing)	EN 60529 IP55
Dielectric Strength	AREMA 11.5.1.D.7, Class B
Electrical Surge Protection	EN61000-4-5, Class 3, AREMA 11.3.3
Electromagnetic Compatibility (EMC)	FCC Part 15, Subpart B

Operating Specifications

Parameter	Rating
Operating Temperature Range	-40 to 70°C (-40 to 158°F)
Nominal Operating Voltage	10 VDC
Operating Voltage Range	8 - 16 VDC
Voltage Turn-Off	5 VDC
Turn-On/Turn-Off Time	< 75ms

Product Information

Model Number	Aspect Color	Nominal Watts	Number of LEDs
Mid-Range and Outdoor Applications ¹			
● TR3-RCFB501B-92	Red	16	88
● TR3-YCFB501B-92	Yellow	16	88
● TR3-GCFB501B-92	Green	18	88
○ TR3-WCFB501B-92	White	15	90

Notes:

¹ Signal performance when exposed to external light (ex. sun, head lamp) is dependant on each application field testing is recommended.

² Sold separately. Refer to datasheet RAIL144.

Distributed by:



GE Lighting Solutions • 1-888-MY-GE-LED • www.gelightingsolutions.com

1 - 8 8 8 - 6 9 - 4 3 - 5 3 3 for North America · or · + 1 . 2 1 6 . 2 6 6 . 2 4 1 9

GE Lighting Solutions, LLC is a subsidiary of the General Electric Company. The GE brand and logo are trademarks of the General Electric Company.

© 2012 GE Lighting Solutions, LLC. Information provided is subject to change without notice. All values are design or typical values when measured under laboratory conditions.

RAIL130-R090412