

LED Tricolor Signal

8 inch (200 mm) - 10V DC
-96 Series



Outstanding Reliability

- Compatible with most controllers with light-out-detection circuits
- Self-contained design provides protection against moisture and dust
- Backed by a 48 month limited warranty
- Over 210,000 wayside signals sold worldwide

Excellent Appearance & Visibility

- Three aspects in a single, compact module
- Robust LED system design enables high luminous intensity over long product life
- Efficient optical system delivers uniform color across both wide- and narrow-beam signals
- Sun Phantom reducing features have been incorporated in our design¹

Meets Rigorous Certification & Testing Standards

- Meets selected AREMA recommended practices, as detailed in the Design Compliance Table
- All lamps undergo comprehensive testing in the manufacturing plant

Exceptional Design

- Independent power supplies
- Robust mechanical design
- Designed for quick installation

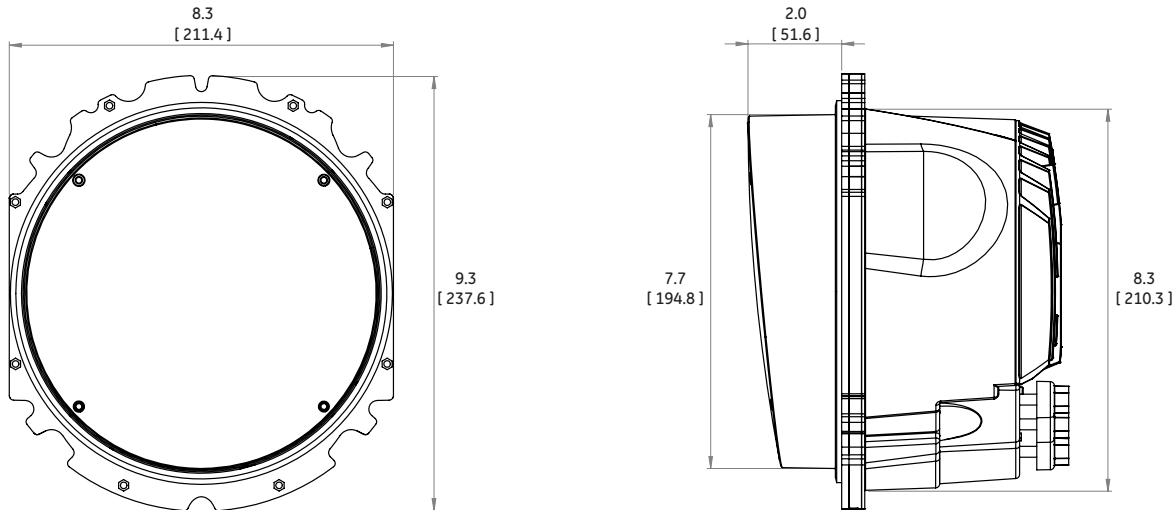


New Tricolor

• 8 inch (200 mm) - 10V DC • 96 Series

Mechanical Outline

Dimensions in inches. (mm) indicates metric equivalent





Design Compliance

Characteristic	Compliance
Impact Resistance of Front Shell	IR3
Mechanical Vibration & Shock	AREMA 11.5.1.D.4/D.5. Class B
Water/Dust Ingress Protection (in typical Rail Housing)	EN 60529 IP65
Dielectric Strength	1kV rms
Electrical Surge Protection	EN61000-4-5, Class 3, AREMA 11.3.3*
Electromagnetic Compatibility (EMC)	FCC Part 15, Subpart B

Operating Specifications

Parameter	Rating
Operating Temperature Range	-40 to 70°C (-40 to 158°F)
Nominal Operating Voltage	10V DC
Operating Voltage Range	8 - 16V DC
Nominal Voltage Turn-Off	3.5V DC
Turn-On/Turn-Off Time at Nominal Voltage	< 75ms
Typical Clamping Voltage (AREMA 11.3.3.E)	42V
Maximum Allowable Surge Voltage and Energy Handling Capability (AREMA 11.3.3.E)	65V DC & 15J for 2ms

Product Information

Model Number	Green	Nominal Power Yellow	Red	Clear Shell	Smoked Shell
 RM4-TCFB-75B-96	16W	17W	16W	X	
 RM4-TSFB-75B-96	16W	17W	16W		X

Notes:

All values are design or typical values when measured under laboratory conditions at T=25°C

¹ Signal performance when exposed to external light (ex. sun, head lamp) is dependant on each application field testing is recommended.

* Assuming adequate primary and secondary surge protection is present at the signal head.

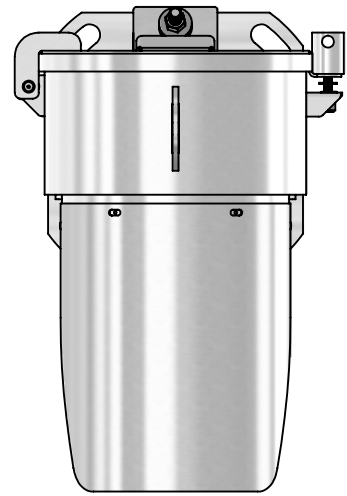


GE Lighting • 1-888-MY-GE-LED • www.gelighting.com

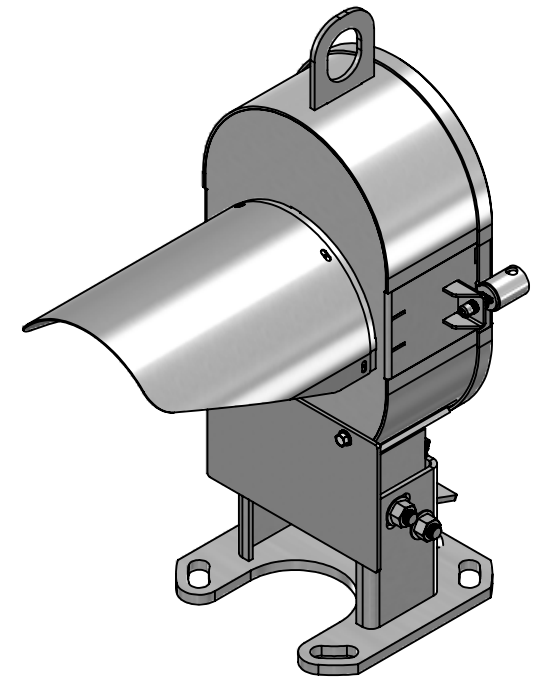
1-888-69-43-533 for North America · or · +1.216.266.2419

Information provided is subject to change without notice. All values are design or typical values when measured under laboratory conditions. The GE brand and logo are trademarks of the General Electric Company. © 2014 GE.

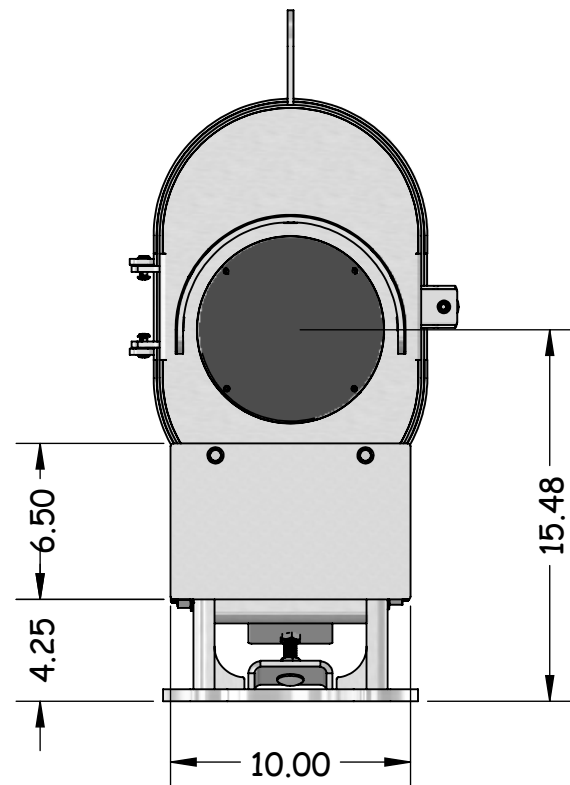
RAIL288-R070814



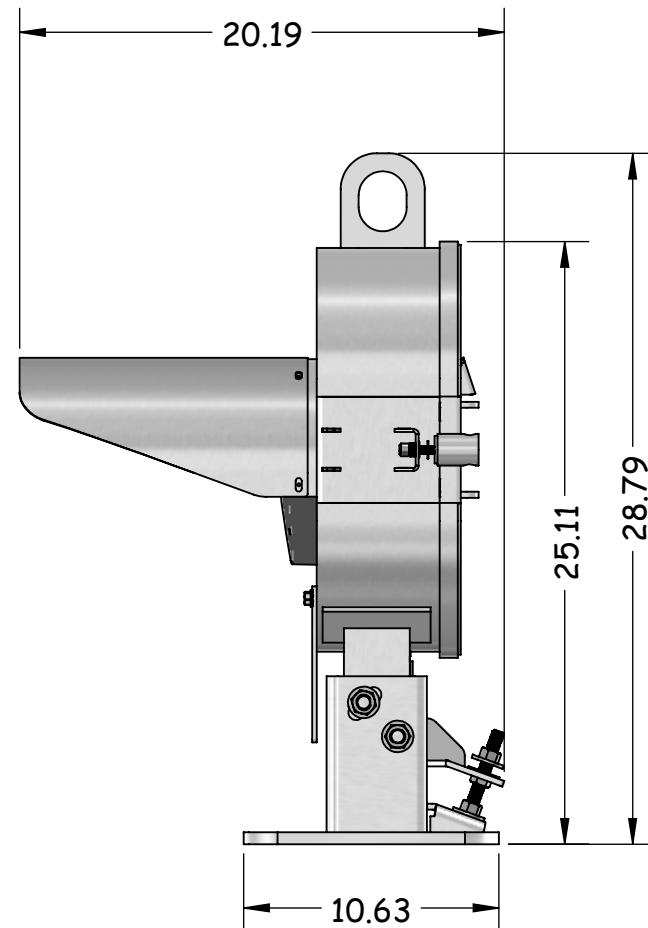
TOP VIEW



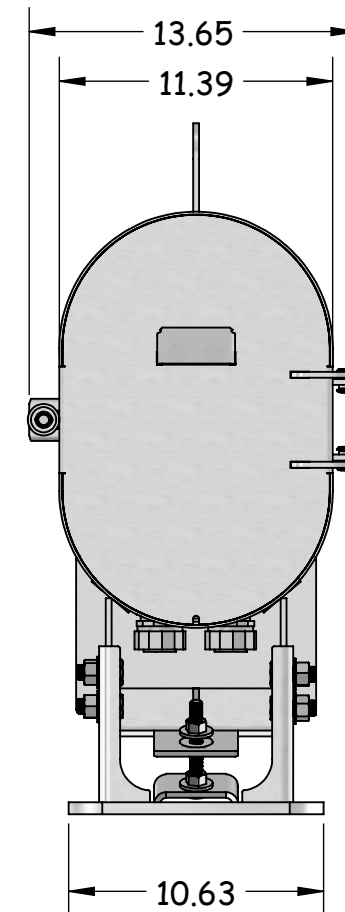
ISOMETRIC



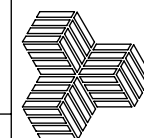
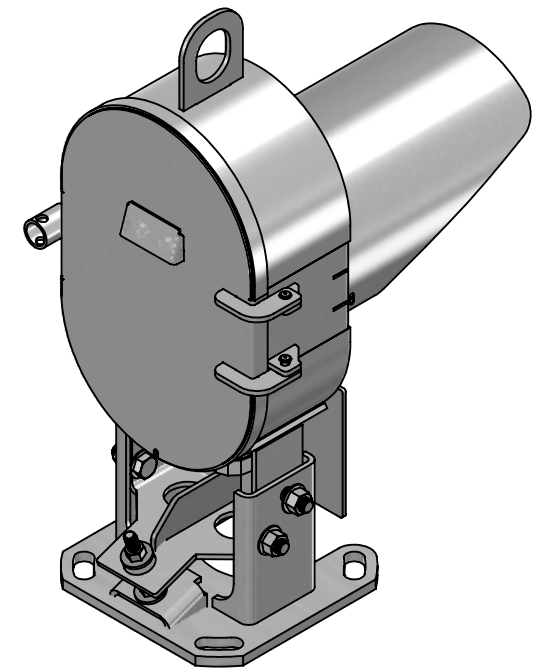
FRONT VIEW



SIDE VIEW



BACK VIEW



**CUSTOM STEEL
MFG. LTD.**
WINNIPEG, MB, CA

FINISH:

MATERIAL:		DATE: 26/06/2014		TITLE:	
IMPERIAL		SCALE: NOT TO SCALE		ASSEMBLY NUMBER:	
TOLERANCES:		DRAWN BY: DP		CHKD BY:	
X.XX ±0.06		PART NUMBER:		REV	
X.XXX ±0.03		RR15-LEDTRI-D-K		-	
ANGLES ±1°		THIRD ANGLE PROJECTION			

REV	DESCRIPTION	DATE	BY
2	-	-	-
1	-	-	-