

# GE LED Signal Retrofit for Transit and Wayside

GE has developed a universal white LED solution for use behind colored lenses

## Retrofit Solution

- One white module is a fit for all colors; utilizes the original housing lens and color filter
- Fits in existing housing, customized brackets available
- Easy to install and align
- Reduces inventory and maintenance cost
- Mounting bracket comes with AREMA terminal block and hardware

## Outstanding Reliability

- Self-contained design provides protection against moisture and dust
- Backed by a 48 month limited warranty
- GE has sold over 210,000 wayside signals worldwide
- Robust LED system design enables long product life

## Meets Rigorous Certification & Testing Standards

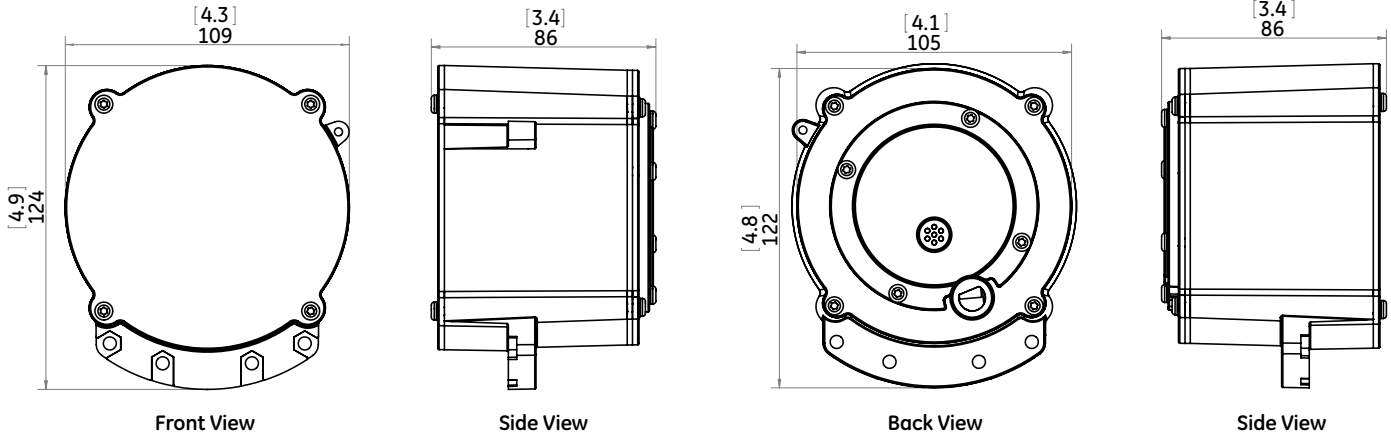
- Meets AREMA chromaticity when placed behind AREMA compliant lens\*
- All lamps undergo comprehensive testing during manufacturing process
- Meets military radiated immunity standard 50V/m MIL-STD-461F, exceeding AREMA recommendations

\*AREMA 7.1.10 standard



# GE LED Signal Retrofits for Transit and Wayside

## Mechanical Outline Dimensions in mm [inches]



## Design Compliance

Characteristic	Compliance
Mechanical Vibration & Shock	AREMA 11.5.1, Class A
Environmental	Rain Testing: MIL-STD-810E Method 516.3, Procedure 1 Blowing Metal Dust Testing: MIL-STD-810E Method 510.3, Procedure I Sand Testing: MIL-STD-810E, Procedure II
Dielectric Strength	AREMA 11.5.1, Class A
Electrical Surge Protection	EN61000-4-5, Class 3 and AREMA 11.3.3
Radiated Susceptibility	MIL-STD-461F RS101 MIL-STD-461F RS103 (50V/m)
Conducted Susceptibility	AREMA 2013 Part 11.5.2, EN1000-4-6, 10V(rms)
Conducted/Radiated Emissions	FCC, Part 15, Subpart B, Class B
Radio Transmitter Susceptibility	EN 50121-3-2

## Product information

Signal Model Number	Voltage Range ***
TR3-WFFB-101A	110V AC (60Hz)
Bracket Model Number	Hole Pattern **
BRA-TR3-001	Type A
BRA-TR3-002	Type B

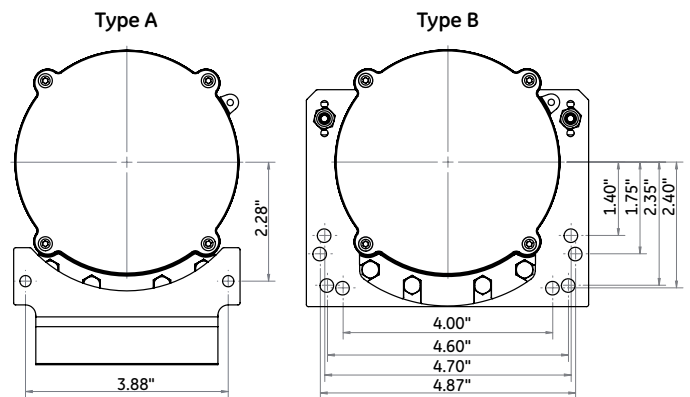
## Operating Specifications

Parameter	TR3-WFFB-101A
Operating Temperature Range	-40°C to +70°C
Nominal Power	9.2 W
Nominal Current	0.084 A

\*\* Other custom brackets available, please contact your sales representative for more information.

\*\*\* Please contact your sales representative for other voltages.

## Custom Bracket \*\*



[www.currentbyge.com](http://www.currentbyge.com)

All trademarks are the property of their respective owners. Information provided is subject to change without notice. All values are design or typical values when measured under laboratory conditions. Current, powered by GE is a business of the General Electric Company.  
© 2016 GE.

RAIL322 (Rev 08/15/16)