

TR3 LED Transit Colorlight Signal Modules

5.5 inch (140 mm)

Outstanding Safety & Reliability

- Meets AREMA standards for Safety Assurance (Manual Part 17.3.1)
- Meets SIL-4 Safety classification (92-series only)
- Compatible with most microprocessor controllers with light-out-detection capability (92-series only)
- Self-contained design provides protection against moisture and dust

Excellent Appearance & Visibility

- Robust LED system design enables high luminous intensity over long product life
- Efficient optical system delivers uniform color
- Sloped front shell reduces reflections
- Optional frosted shell available for tunnel applications

Meets Rigorous Certification & Testing Standards

- Meets AREMA standards
- All lamps undergo comprehensive testing in the manufacturing plant

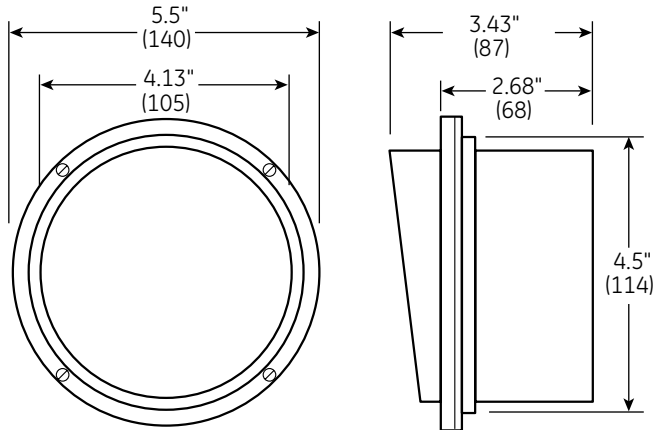


TR3 LED Transit Colorlight Signal Modules

• 5.5 inch (140 mm)

Dimensions in inches. (mm) indicates metric equivalent

Mechanical Outline



Design Compliance

Characteristic	Compliance
Environmental Limits	AREMA Part 11.5.1 – Class B
Dielectric Requirement	AREMA Part 1.4.1
Electrical Surge Protection	AREMA Part 11.2.1 – Tertiary
Safety Assurance	AREMA Part 17.3.1

Operating Specifications

Parameter	Rating	
	120V	10V
Operating Temperature	-40 to +70°C (-40 to +158°F)	
Operating Voltage	85 to 135 V AC	8 to 16 V AC 8.2 to 20 V DC
Voltage Turn-Off (VTO)	45 V AC	5.3 V AC 7.3 V DC
Power Surge	360 Vrms for 80 ms	45 Vrms for 80 ms

Product Information

Model Number	Dominant Wavelength ¹ (nm)	Nominal Power (W)			Peak Intensity ¹ (cd)	Field Angles (10% of peak Intensity)
		120V	10 V	10V for Light-Out Detection		
Short Range and Tunnel Applications						
● TR3-RFFB-301 (A or B)*	627	4	5	n/a	65	43°
● TR3-YFFB-301 (A or B)	592	4	5	n/a	45	47°
● TR3-GFFB-301 (A or B)	500	4	4	n/a	65	47°
○ TR3-WFFB-301 (A or B)	-	4	4	n/a	100	34°
Mid-Range and Outdoor Applications						
● TR3-RCFB-501 (A or B)	632	7	8	16	240	15°
● TR3-YCFB-501 (A or B)	594	7	8	16	320	16°
● TR3-GCFB-501 (A or B)	500	8	9	14	240	22°
○ TR3-WCFB-501 (A or B)	-	7.5	9	15	240	41°

*Must indicate voltage using suffix: A (120) or B (10V).

Options:

-92: Light-out detection device for 10 V DC microprocessor-based control systems.

Available on 501B models only.

¹ This is a minimum initial value at T = 25°C.

Distributed by:



6180 Halle Drive • Valley View, Ohio 44125-4635, • USA
P: 216.606.6555 • F: 216.606.6599 • www.led.com • signals@led.com

For customer service & technical support, contact:
1-888-MY-GE-LED (1.888.694.3533)

Lumination, LLC is a subsidiary of the General Electric Company. The GE brand and Logo are trademarks of the General Electric Company.
© 2008 Lumination, LLC. Information provided is subject to change without notice. All values are design or typical values when measured under laboratory conditions.