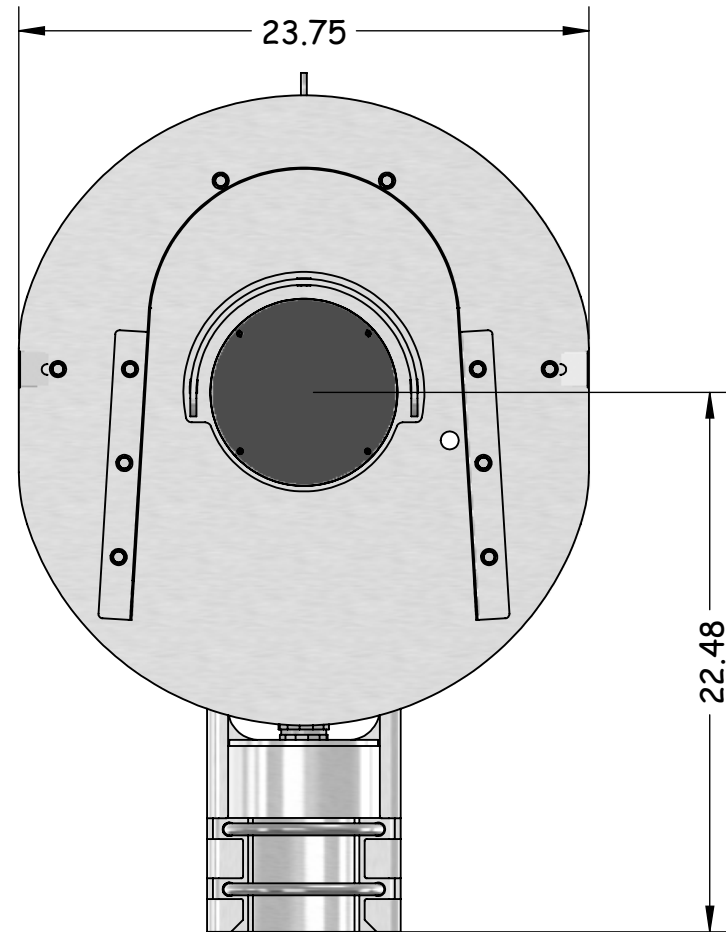
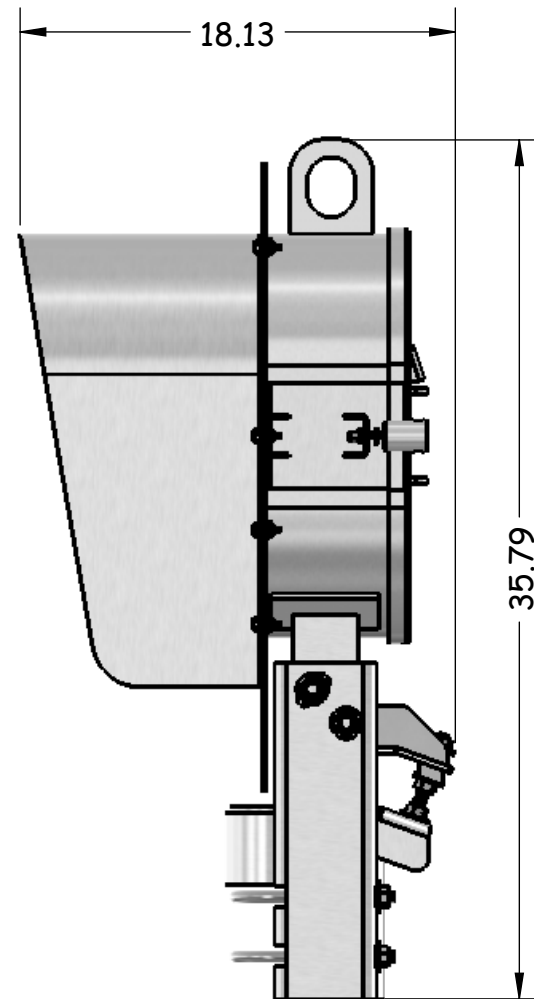


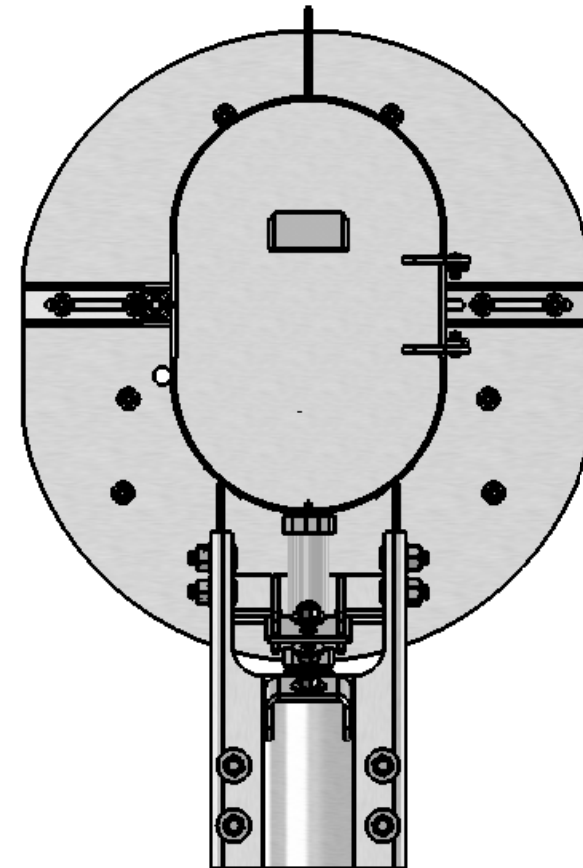
TOP VIEW



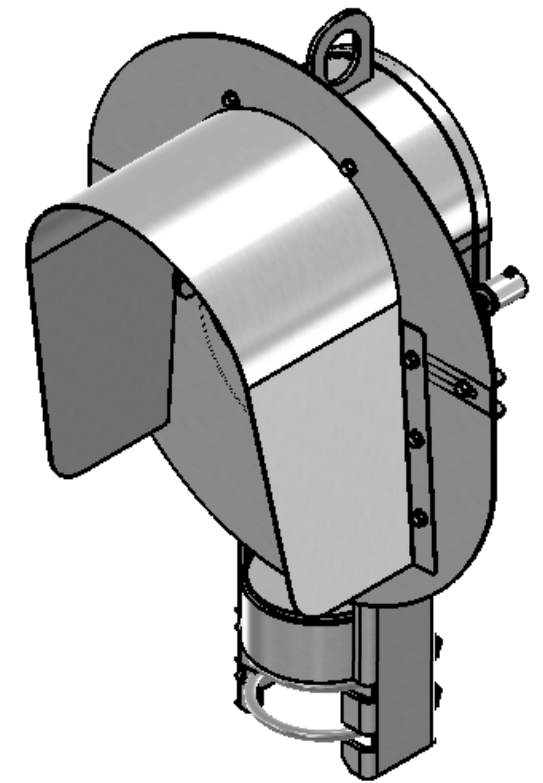
FRONT VIEW



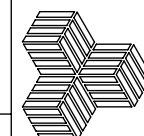
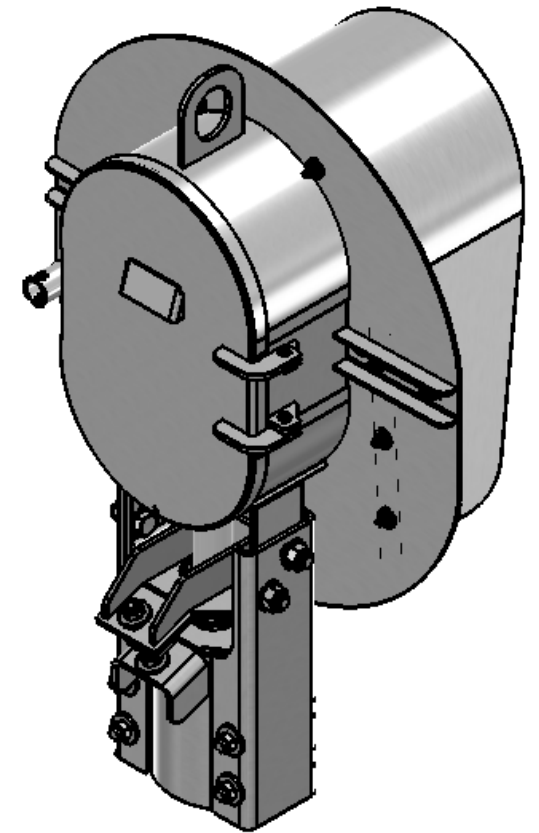
SIDE VIEW



BACK VIEW



ISOMETRIC



**CUSTOM STEEL
MFG. LTD.**
WINNIPEG, MB, CA

FINISH:

MATERIAL:

IMPERIAL

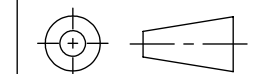
TOLERANCES:

X.XX ±0.06

X.XXX ±0.03

ANGLES ±1°

THIRD ANGLE PROJECTION



DATE: 18/06/2014

SCALE: NOT TO SCALE

DRAWN BY: DP

CHKD BY:

PART NUMBER:

TITLE:

ASSEMBLY NUMBER:

RR15-LED-TRI-K

REV

-

REV	DESCRIPTION	DATE	BY
2	-	-	-
1	-	-	-