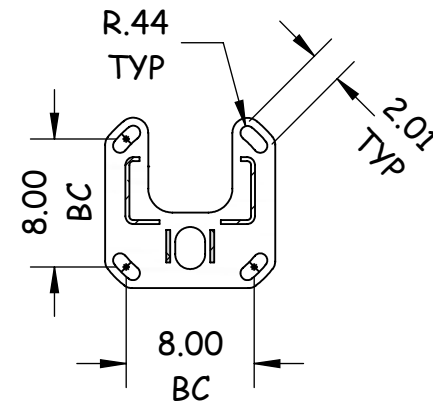
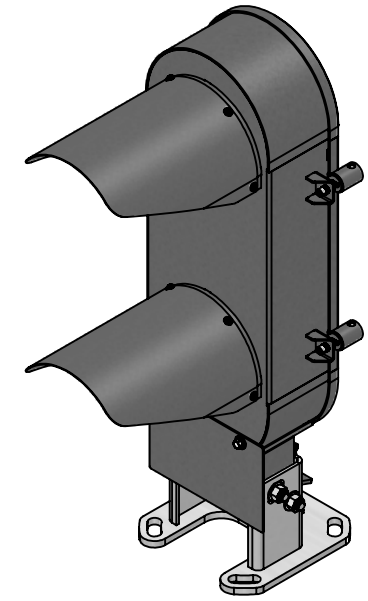


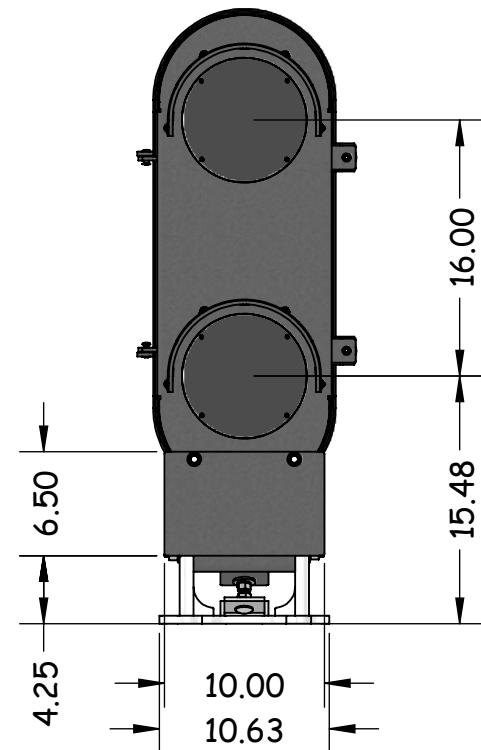
TOP VIEW



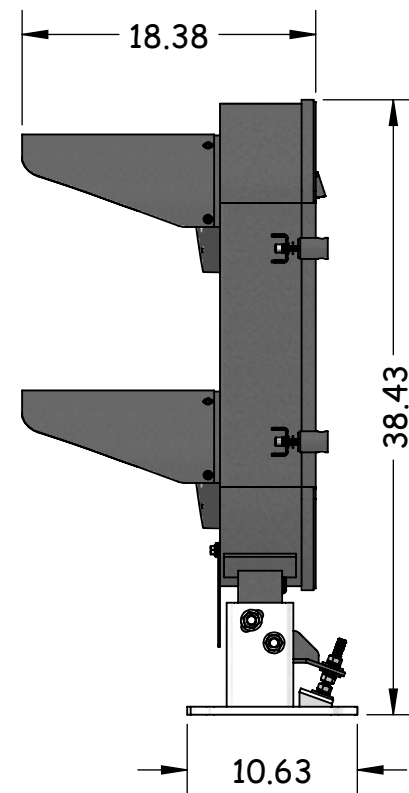
SECTION A-A



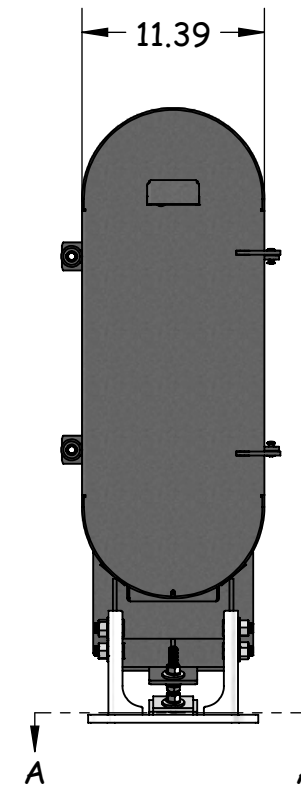
ISOMETRIC



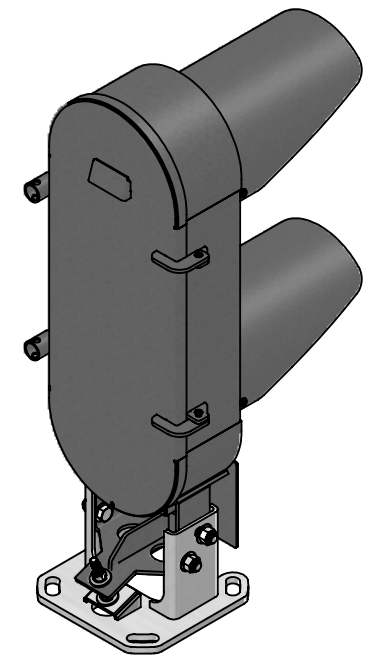
FRONT VIEW



SIDE VIEW



BACK VIEW



FINISH:

MATERIAL:		DATE: 26/06/2014		TITLE:	
IMPERIAL		SCALE: NOT TO SCALE		ASSEMBLY NUMBER:	
TOLERANCES:		DRAWN BY: DP		CHKD BY:	
X.XX ±0.06		PART NUMBER:		REV	
X.XXX ±0.03		RR15-LEDTRI-DD-K		-	
ANGLES ±1°		THIRD ANGLE PROJECTION			

REV	DESCRIPTION	DATE	BY
2	-	-	-
1	-	-	-