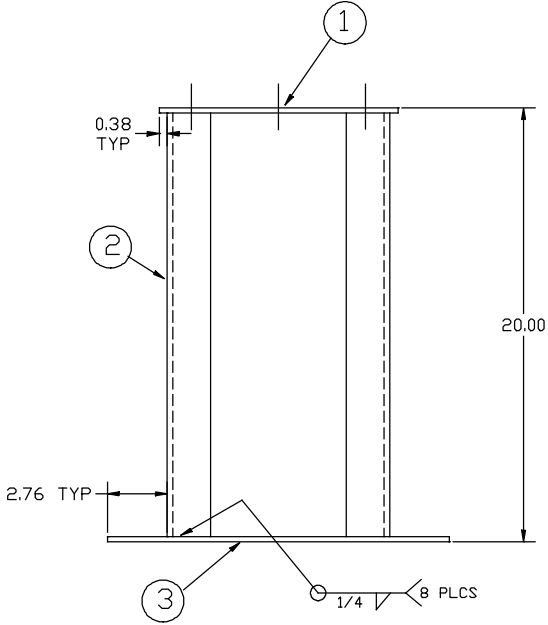
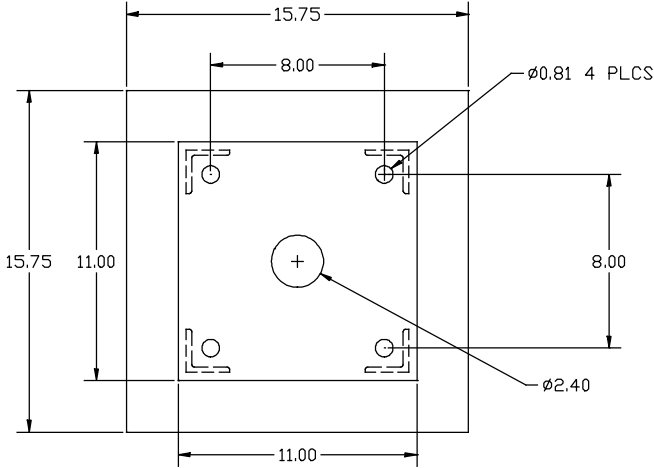


HOT DIP GALVANIZE



3	1	RR99-10027	BOTTOM PLATE	
2	4	RR99-10026	ANGLES	
1	1	RR99-10025(A)	TOP PLATE	
NO	QTY	PART NO	DESCRIPTION	NOTE

CUSTOM STEEL MFG. LTD. WINNIPEG, MANITOBA, CANADA	IMPERIAL		DATE: 06/06/11	TITLE: DWARF MOUNTING BASE GALVANIZED	
	TOLERANCES: X.XX ±0.06 X.XXX ±0.03 ANGLES ±1'		SCALE: NOT TO SCALE	DWN BY: T. HUNNIE	ASSEMBLY NUMBER: RRK99-10010
MATERIAL: -	THIRD ANGLE PROJECTION	CAD FILE:	RRA99-10010	PART NUMBER: RRA99-10010	REV -
REMOVE ALL BURRS AND SHARP EDGES					REV -

REV	DESCRIPTION	DATE	BY