

RG6 LED Level Crossing Signal Modules

12 inch (300mm)



Outstanding Reliability

- Self-contained design provides protection against moisture and dust
- Designed for retrofit into existing housings

Excellent Appearance & Visibility

- Robust LED system design enables high luminous intensity over long product life
- Optional sidelights

Meets Rigorous Certification & Testing Standards

- Meets AREMA standards
- All lamps undergo comprehensive testing in the manufacturing plant
- Lens withstands 100 mph baseball impact as per NOCSAE Impact Test ¹



RG6 LED Level Crossing Signal Modules

- 12 inch (300mm)



RG6 - Uniform Look

- Meets AREMA Class B Standards
- Transport Canada Compliant
- Optional sidelights provide additional visibility
- Efficient optical system delivers uniform color

RG6 - Pixelated Look

- Meets AREMA Class B Standards
- Low power consumption for long battery back-up life
- Designed to ensure that sidelights are on only when the front signal is flashing
- Surge and over voltage protection protects LEDs

Design Compliance

Parameter	Compliance
Environmental Limits	AREMA Part 11.5.1 – Class B
Electronic Noise	AREMA Part 11.5.1 – Class B
Transient Immunity	AREMA Part 11.3.3
Photometric Requirements	Transport Canada ² AREMA Part 3.2.35, Type 30-15 and 20-32 ³
Impact Resistance	100 mph baseball ¹

Operating Specifications

Parameter	Uniform Rating	Pixelated Rating
Operating Temperature Range	-40 to +70°C (-40 to +158°F)	-40 to +70°C (-40 to +158°F)
Operating Voltage Range	8 to 20V DC 8 to 16V AC (50-60Hz)	8 to 14 V AC 8 to 14 V DC
Voltage Turn-Off (VTO)	4V	-
Power Surge	45Vrms for 80µms	42Vrms for 80ms 1000 Vrms for 1.8µms
Nominal Current Draw ⁴	1.5A	0.85A (DC) 1.05A (AC)

Mechanical Outline Dimensions in inches. (mm) indicates metric equivalent

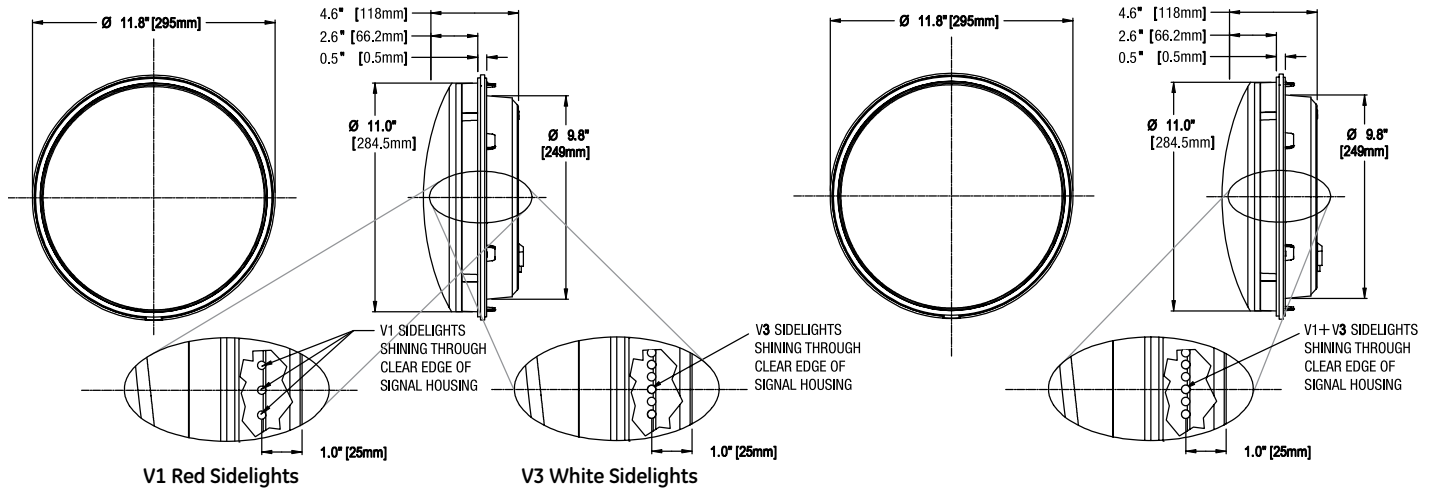
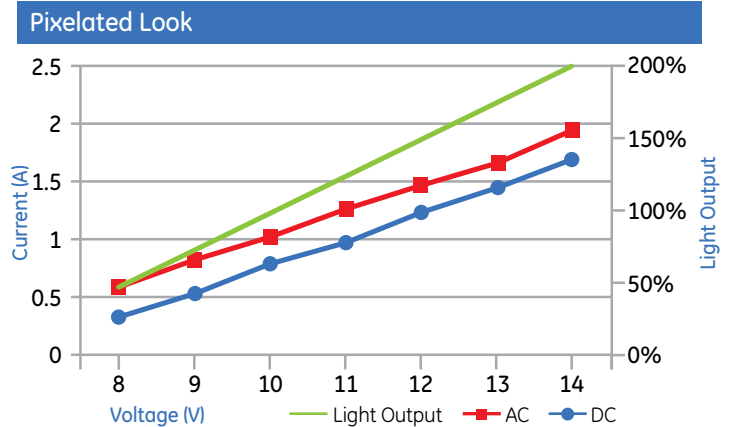
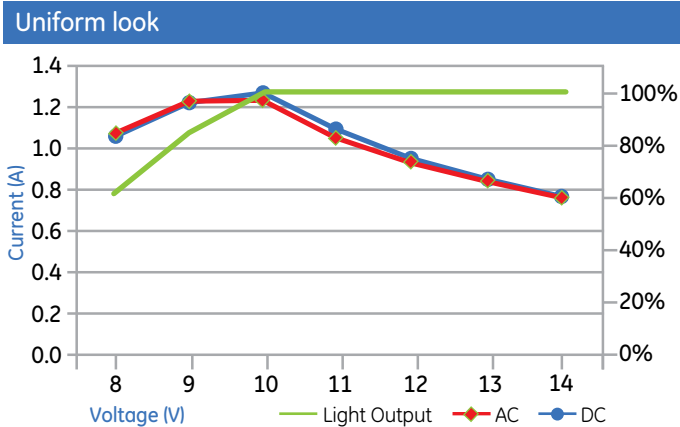


Figure A -Uniform Look

Figure B -Pixelated Look

Typical Current Draw



Product Information

Model Number	Sidelight Color	Lamp Appearance	Dominant Wavelength (nm)	Nominal Power (W) ⁴	Typical Beam Angles (50% of peak intensity)	Typical Field Angles (10% of peak intensity)	Figure
● RG6-RTFB-48BV1-H7	Red	Uniform	630	12W AC / 12W DC	20°H x -7.5°V	45°H x -17.5°V	A
● RG6-RTFB-48BV3-H7	White	Uniform	630	12W AC / 12W DC	20°H x -7.5°V	45°H x -17.5°V	A
● RG6-RTFB-01BV1-H7	Red	Pixelated	623	10.5W AC / 8W DC	30°H x 30°V	46°H x 46°V	B
● RG6-RTFB-01BV1-GH7 ⁵	Red	Pixelated	623	10.5W AC / 8W DC	30°H x 30°V	46°H x 46°V	B
● RG6-RTFB-01BV3-H7	White	Pixelated	623	10.5W AC / 8W DC	30°H x 30°V	46°H x 46°V	B
● RG6-RTFB-01BV3-GH7 ⁵	White	Pixelated	623	10.5W AC / 8W DC	30°H x 30°V	46°H x 46°V	B

All values are design or typical values when measured under laboratory conditions at T=25°C.
 For gasket options, please contact your sales agent.
¹ Resists concentric impact from a baseball (INOCSAE DOC 072) projected per INOCSAE DOC 021 Section 5.2 & 12.
² Applicable to uniform look only.
³ Applicable to pixelated look only.
⁴ Based on nominal voltage of 10V.
⁵ With gasket option.



The Greatest Signals Stand the Test of Time.™

Distributed by:



GE Lighting Solutions • **1-888-MY-GE-LED** • www.gelightingsolutions.com
1 - 8 8 8 - 6 9 - 4 3 - 5 3 3

GE Lighting Solutions, LLC is a subsidiary of the General Electric Company. The GE brand and logo are trademarks of the General Electric Company.
© 2012 GE Lighting Solutions, LLC. Information provided is subject to change without notice. All values are design or typical values when measured under laboratory conditions.

RAIL032-R090313