

# RG4 LED Level Crossing Signal Modules

8 inch (200mm)



## Outstanding Reliability

- Self-contained design provides protection against moisture and dust
- Designed for retrofit into existing housings

## Excellent Appearance & Visibility

- Robust LED system design enables high luminous intensity over long product life
- Efficient optical system delivers uniform color

## Meets Rigorous Certification & Testing Standards

- Meets AREMA standards
- All lamps undergo comprehensive testing in the manufacturing plant

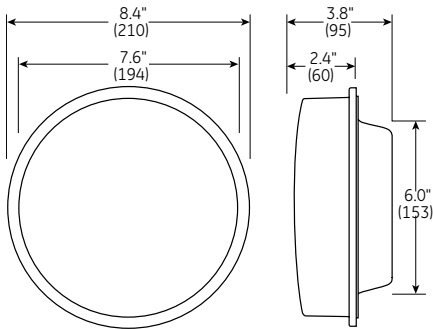


# RG4 LED Level Crossing Signal Modules

- 8 inch (200mm)

Dimensions in inches. (mm) indicates metric equivalent

## Mechanical Outline



## Design Compliance

Parameter	Compliance
Environmental Limits	AREMA Part 11.5.1 -Class B
Electronic Noise	FCC Title 47 Sub.B Sec. 15 Class A
Transient Immunity	AREMA Part 11.3.3

## Operating Specifications

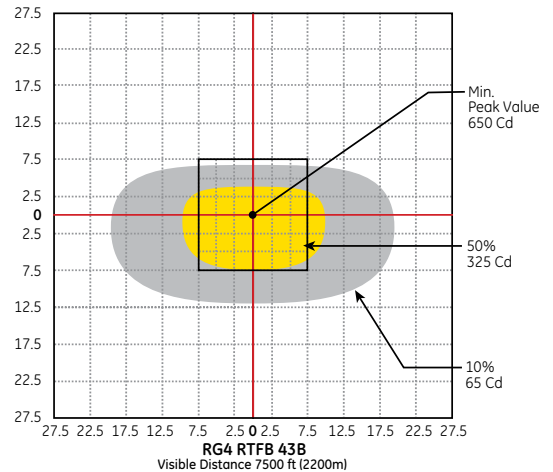
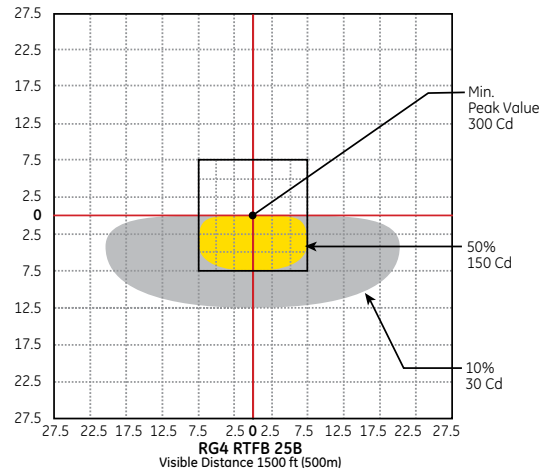
Parameter	Rating
Operating Temperature	-40 to +70°C (-40 to +158°F)
Operating Voltage Range	8V to 20V DC 8V to 16V AC (50-60Hz)
Voltage Turn-Off (VTO)	4V
Power Surge	45Vrms for 80ms.
Maximum Current Draw	1.2A

## Product Information

Model Number	Dominant Wavelength (nm)	Nominal Power (W)	Peak Intensity (cd)	Beam Angles (50% of peak intensity)	Field Angles (10% of peak intensity)
● RG4-RTFB-25B	630	9	300	15°H x -7.5°V	40°H x -12.5°V
● RG4-RTFB-43B	630	13	650	18°H x -11°V	38°H x -16°V

All values are design or typical values when measured under laboratory conditions at T=25°C.

## Photometric Characteristics



Distributed by:



GE Lighting Solutions • 1-888-MY-GE-LED • www.gelightingsolutions.com  
1 - 8 8 8 - 6 9 - 4 3 - 5 3 3

GE Lighting Solutions is a subsidiary of the General Electric Company. The GE brand and logo are trademarks of the General Electric Company.  
© 2010 GE Lighting Solutions. Information provided is subject to change without notice. All values are design or typical values when measured under laboratory conditions.

RAIL031-R120110