

# DR2 LED Signal Modules

100 mm



## Features

- Assembles with most fixtures using customizable adaptors
- Wide operating voltage range (nominal 120V & 230V)
- Designed for operating temperature range of -40°C to +60°C
- Moisture and dust tight seal (IP 55)
- New or retrofit use
- Strong polycarbonate front lens
- Longer lifetime compared to incandescent bulb (over 50,000 hours)

## Benefits

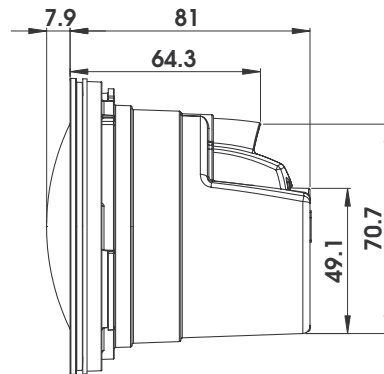
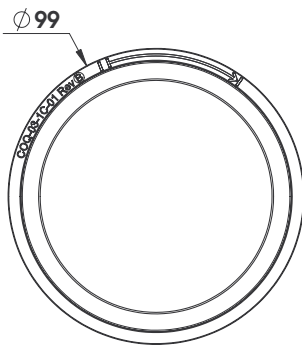
- Reduces overall operating and maintenance costs
- Low energy consumption (up to 90% savings over a typical incandescent light bulb)
- 5-year limited warranty on material and workmanship



# DR2 LED Signal Modules

- 100 mm

## Mechanical Outline (Nominal dimensions in mm)



## Design Compliance

Test Type	Compliance
Electronic Noise	EN55022 Class B FCC Title 47 Sub B, Sec. 15 - Class A
Impact Resistance	EN60598-1 Class IR3*
Ingress Protection	EN60529 Rating IP55*

\* Designed to meet EN12368 requirement.

## Operating Specifications

Parameter	Range
Operating Temperature Range	-40°C to +60°C
Input Voltage	80V - 265V
Power Factor (PF)	>90%
Total Harmonic Distortion (THD)	<20%
Minimum Turn-Off Voltage	55V
Turn-on Time	<250ms
Lens and Shell material	UV Stabilized Polycarbonate

## Product Information

Model Number	Nominal Dimensions mm	Dominant Wavelength <sup>1</sup> nm	Power (W) Nominal	Min. Stabilized Luminous Intensity (Cd)
DR2-RCFB-40U	100	618 - 633	3	100
DR2-YCFB-40U	100	586 - 596	3	100
DR2-GCFB-40U	100	495 - 512	3	100

<sup>1</sup> As per EN12368

## Adaptor Information<sup>2</sup>

Model Number	Kit Ordering <sup>3</sup>	Size mm	Figure
ADP-DR2-01	ADP-DR2-KIT20-01	115	A
ADP-DR2-02	ADP-DR2-KIT20-02	101	B

<sup>2</sup> Other adaptors available upon request

<sup>3</sup> Box Quantity = 20

Nominal dimensions in mm.

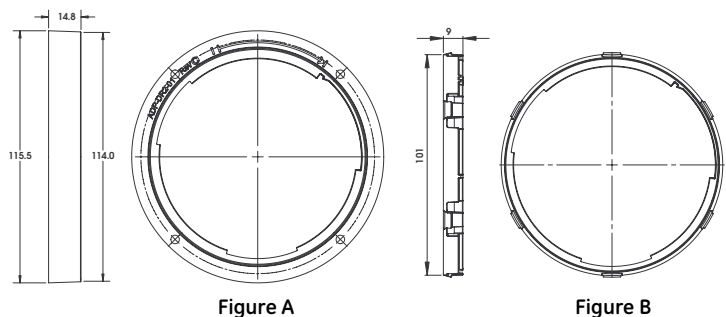


Figure A

Figure B

Distributed by:

1975 Noble Road, Bldg 338E  
 East Cleveland, Ohio 44112-6300 • USA  
 P: 1.216.266.2419 • F: 216.266.2158  
 www.lumination.com • signals@lumination.com

For customer service & technical support,  
 contact: **1-888-MY-GE-LED** (1.888.694.3533)



Lumination, LLC is a subsidiary of the General Electric Company. The GE brand and logo are trademarks of the General Electric Company. © 2010 Lumination, LLC. Information provided is subject to change without notice. All values are design or typical values when measured under laboratory conditions, and Lumination makes no warranty that such performance will be obtained under end-use conditions or in use with particular equipment. Applications and conditions of use are many, varied, and beyond our control, and it is up to the purchaser to test and determine whether a module is suitable for the intended use and compatible with any particular, housing, controller, and other equipment.

TRAF123-R031610