

GE  
Lumination

# RG4 LED Level Crossing Signal Modules

8 inch (200mm)



## Outstanding Safety & Reliability

- Self-contained design provides protection against moisture and dust
- Designed for retrofit into existing housings

## Excellent Appearance & Visibility

- Robust LED system design enables high luminous intensity over long product life
- Efficient optical system delivers uniform color

## Meets Rigorous Certification & Testing Standards

- Meets AREMA standards
- All lamps undergo comprehensive testing in the manufacturing plant



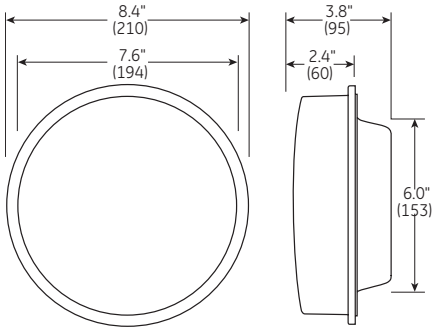
imagination at work

# RG4 LED Level Crossing Signal Modules

• 8 inch (200mm)

Dimensions in inches. (mm) indicates metric equivalent

## Mechanical Outline



## Design Compliance

Parameter	Compliance
Environmental Limits	AREMA Part 11.5.1 -Class B
Electronic Noise	FCC Title 47 Sub.B Sec. 15 Class A
Transient Immunity	AREMA Part 11.3.3

## Operating Specifications

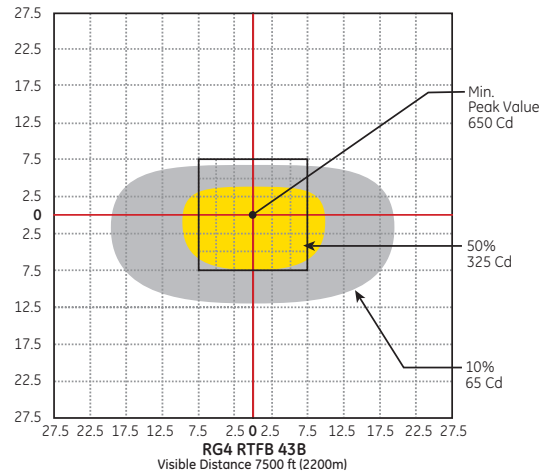
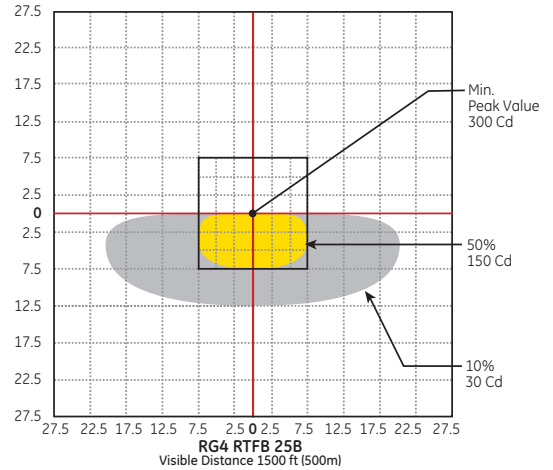
Parameter	Rating
Operating Temperature	-40 to +70°C (-40 to +158°F)
Operating Voltage Range	8V to 20V DC 8V to 16V AC (50-60Hz)
Voltage Turn-Off (VTO)	4V
Power Surge	45Vrms for 80ms.
Maximum Current Draw	1.2A

## Product Information

Model Number	Dominant Wavelength (nm)	Nominal Power (W)	Peak Intensity (cd)	Beam Angles (50% of peak intensity)	Field Angles (10% of peak intensity)
● RG4-RTFB-25B	630	9	300	15°H x -7.5°V	40°H x -12.5°V
● RG4-RTFB-43B	630	13	650	18°H x -11°V	38°H x -16°V

All values are design or typical values when measured under laboratory conditions at T=25°C.

## Photometric Characteristics



Distributed by:



6180 Halle Drive • Valley View, Ohio 44125-4635, USA

Americas P:216.606.6612 • F:216.606.6599 • [www.led.com](http://www.led.com) • [signals@led.com](mailto:signals@led.com)

Publication No: SSUSRG4ARE: 04/16/07 • Lumination, LLC is a subsidiary of GE Consumer & Industrial.

The GE brand and logo are trademarks of the General Electric Company. © 2007 Lumination, LLC. Information provided is subject to change without notice. All values are design or typical values when measured under laboratory conditions.