

LED Transit Colorlight Signal Modules

5.5 inch (140 mm) - 12V DC
-92 Series



Outstanding Safety & Reliability

- Meets SIL-4* Safety classification per EN 50129
- Compatible with most controllers with light-out-detection circuits
- Self-contained design provides protection against moisture and dust
- Backed by a 48 month warranty
- Over 210,000 wayside signals sold worldwide

Excellent Appearance & Visibility

- Robust LED system design enables high luminous intensity over long product life
- Efficient optical system delivers uniform color across both wide and narrow-beam signals
- Sun Phantom reducing features have been incorporated in our design³
- Easy to install and align
- Customizable front lens using Lens Kits⁴

Meets Rigorous Certification & Testing Standards

- Meets AREMA standards
- All lamps undergo comprehensive testing in the manufacturing plant

TR3 Transit

*SIL-4 rating table with duration and operating conditions available upon request



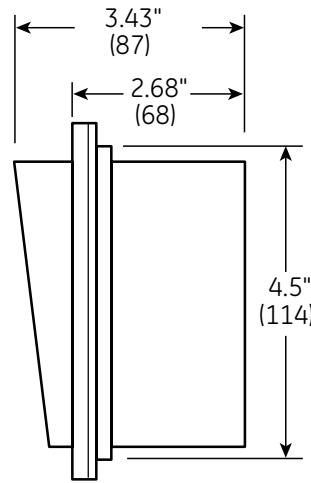
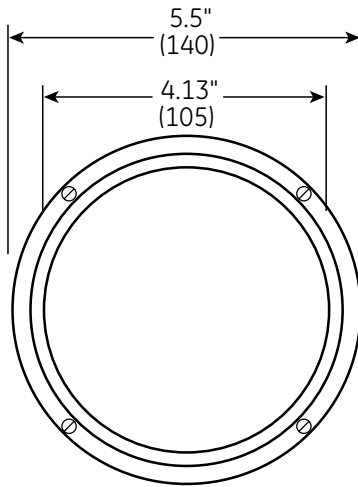
imagination at work

TR3 LED Transit Colorlight Signal Modules

• 5.5 inch (140 mm) - 12V DC • 92 Series

Mechanical Outline

Dimensions in inches. (mm) indicates metric equivalent



Design Compliance

Characteristic	Compliance
Impact Resistance of Front Shell	IR3
Mechanical Vibration & Shock	AREMA 11.5.1.D.4/D.5. Class B
Water/Dust Ingress Protection (in typical Rail Housing)	EN 60529 IP65
Dielectric Strength	AREMA 11.5.1.D.7, Class B
Electrical Surge Protection	EN61000-4-5, Class 3, AREMA 11.3.3
Electromagnetic Compatibility (EMC)	FCC Part 15, Subpart B
Hazard Risk Assessment	EN 50129, SIL 4 ²

Operating Specifications

Parameter	Rating
Operating Temperature Range	-40 to 70°C (-40 to 158°F)
Nominal Operating Voltage	10 VDC
Operating Voltage Range	8 - 16 VDC
Voltage Turn-Off	5 VDC
Turn-On/Turn-Off Time	< 75ms

Product Information

Model Number	Aspect Color	Nominal Watts ²	Number of LEDs
Mid-Range and Outdoor Applications			
● TR3-RCFB-501B-92	Green	16	88
● TR3-YCFB-501B-92	Yellow	16	88
● TR3-GCFB-501B-92	Red	18	88
○ TR3-WCFB-501B-92	White	15	90

Notes:

- SIL-4 rating table with duration and operating conditions available upon request.
- This is a minimum stabilized value at T = 25°C.
- Signal performance when exposed to external light (ex. sun, head lamp) is dependant on each application field testing is recommended.
- Sold separately. Refer to datasheet RAIL144.

Distributed by:



1975 Noble Road, Bldg 338E
 East Cleveland, Ohio 44112-6300 • USA
 P: 1.216.266.2419 • F: 216.266.2158
www.lumination.com • signals@lumination.com

For customer service & technical support, contact:
1-888-MY-GE-LED (1.888.694.3533)

Lumination, LLC is a subsidiary of the General Electric Company. The GE brand and logo are trademarks of the General Electric Company.
 © 2010 Lumination, LLC. Information provided is subject to change without notice. All values are design or typical values when measured under laboratory conditions.

RAIL130-R051010